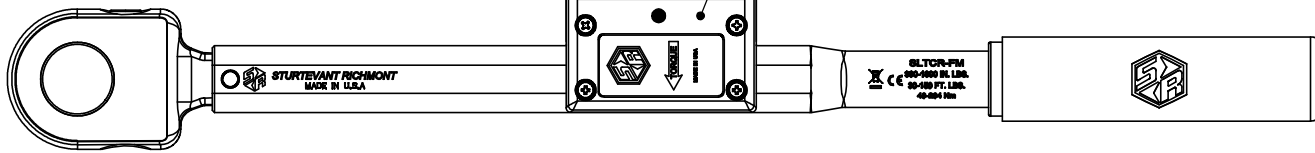


10615(1)  
REPLACEMENT KIT  
2.4 Ghz AAA RADIO

LEGEND: ( ) = QUANTITY/TOOL  
\* = QUANTITY/MULTI-PAK

820048 - CARTON  
857330 - INSTRUCTIONS



816878(2)-20\*  
BELLEVILLE WASHER

812363(1)  
TORQUE SPRING

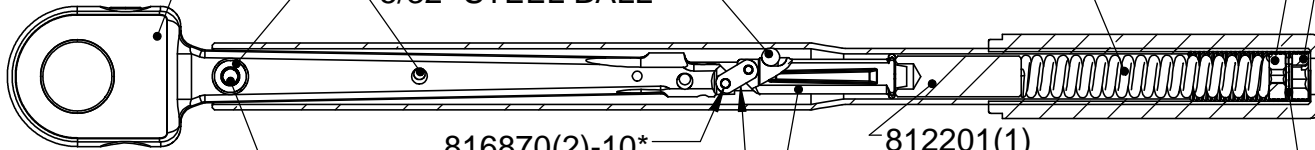
812224(1)  
LOCK PLUG

853755(1)  
TANG

816889(4)-10\*  
5/32" STEEL BALL

816892(1)-10\*  
1/4" STEEL BALL

812205(1)  
ADJ. PLUG



816799(1)-5\*  
HEAD BEARING PIN  
(INCLUDES RETAINING RING)

816870(2)-10\*  
PAWL PIN

812201(1)  
SPACER

816847(1)-10\*  
INT. LOCK WASHER

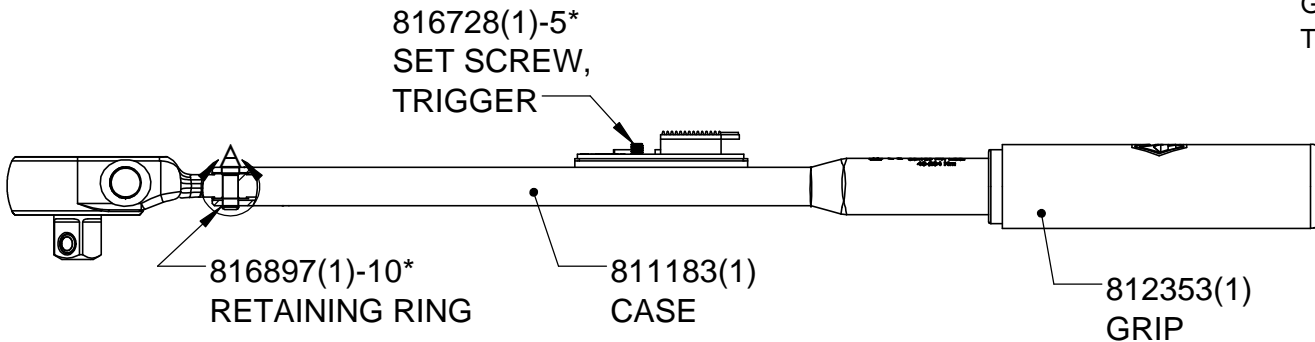
816872(1)-5\*  
PAWL LINK

812583(1)  
TORQUE BLOCK

10615(1)  
RADIO KIT 2.4GHz; AAA FOR SLTC-FM WRENCHES  
(INCLUDES AAA BATTERY HOUSING UPPER &  
LOWER COVERS, BATTERY HOUSING LID, RADIO  
2.4GHz AAA, RUBBER WASHERS (4), SCREW PAN  
HEAD (2), LITEPIPE & SPRING CLIP, PCB  
INSULATION, SLTC LABEL, & AAA BATTERY)

**WARNING:** ONLY USE 1.5 VDC ALKALINE OR 1.2 VDC  
NiMH AAA RECHARGEABLE BATTERIES. OTHER  
BATTERIES CAN CAUSE DAMAGE TO THE BOARD  
AND IMPACT RADIO SIGNAL.

816799 - THIS PIN IS FORMED OVER, **CUSTOMER MUST**  
GRIND OFF FORMED END & INSTALL THIS PIN FORMING  
THE HEAD OVER THE RETAINING RING AS SHOWN.



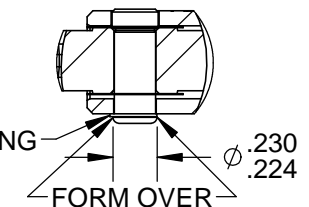
816728(1)-5\*  
SET SCREW,  
TRIGGER

816897(1)-10\*  
RETAINING RING

811183(1)  
CASE

812353(1)  
GRIP

DETAIL A  
SCALE 1 : 1  
DEFORM BEFORE  
CALIBRATION



NOTES:

- TIGHTEN TO 1.5-2.5 IN.LBS. AND APPLY A DROP OF ADHESIVE (PERMA-LOK MM115 OR LOCTITE 262) TO SET SCREW (890105) PRIOR TO ASSEMBLY INTO TANG (853755).