

10615 (1)
REPLACEMENT KIT
2.4 Ghz AAA RADIO

LEGEND: () = QUANTITY/TOOL
* = QUANTITY/MULTI-PAK

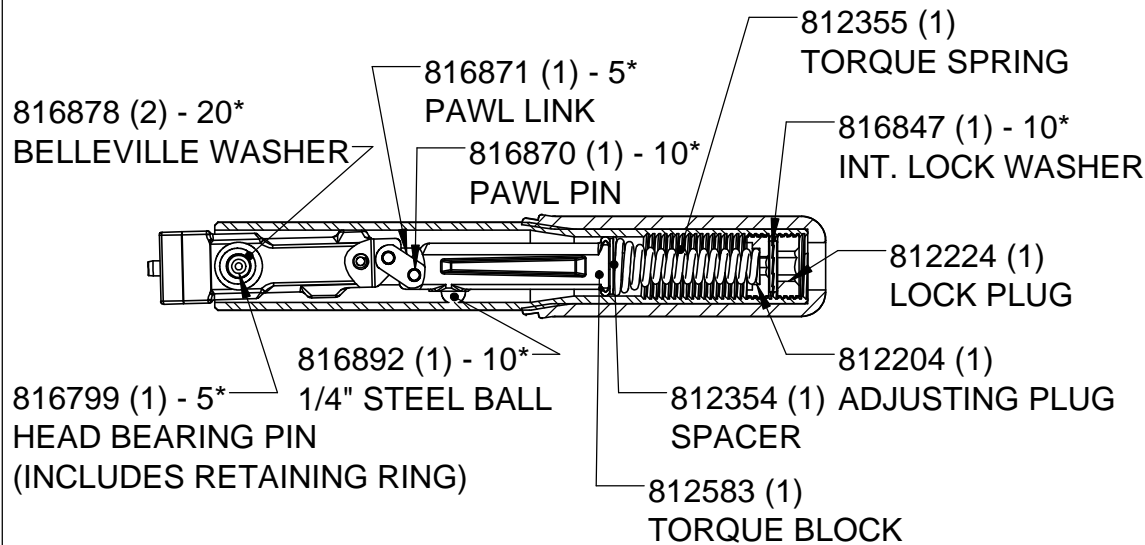
857007 - CARTON
857330 - INSTRUCTIONS

10615 (1)
RADIO KIT 2.4GHz; AAA FOR SLCT-FM WRENCHES
(INCLUDES AAA BATTERY HOUSING UPPER &
LOWER COVERS, BATTERY HOUSING LID, RADIO
2.4GHz AAA, RUBBER WASHERS (4), SCREW PAN
HEAD (2), LITEPIPE & SPRING CLIP, PCB
INSULATION, SLTC LABEL, & AAA BATTERY)

NOTES:
1. TIGHTEN TO 1.5-2.5 IN. LBS. AND APPLY A DROP OF
ADHESIVE (PERMA-LOK MM115 OR LOCTITE 262) TO SET
SCREW (890105) PRIOR TO ASSEMBLY INTO TANG (813326).

WARNING: USE ONLY 1.5 VDC ALKALINE OR 1.2 VDC NiMH AAA
RECHARGEABLE BATTERIES. OTHER BATTERIES CAN CAUSE
DAMAGE TO THE BOARD AND IMPACT THE RADIO SIGNAL.

816799 - THIS PIN IS FORMED OVER **CUSTOMER MUST**
GRIND OFF FORMED END & INSTALL THIS PIN FORMING THE
HEAD OVER THE RETAINING RING AS SHOWN.



816878 (2) - 20*
BELLEVILLE WASHER

816871 (1) - 5*
PAWL LINK

812355 (1)
TORQUE SPRING

816870 (1) - 10*
PAWL PIN

816847 (1) - 10*
INT. LOCK WASHER

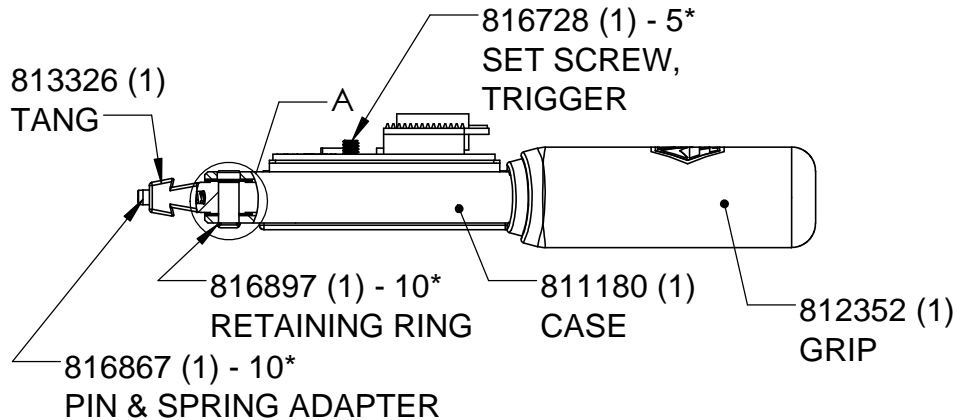
812224 (1)
LOCK PLUG

816892 (1) - 10*
1/4" STEEL BALL

812204 (1)
ADJUSTING PLUG
SPACER

816799 (1) - 5*
HEAD BEARING PIN
(INCLUDES RETAINING RING)

812583 (1)
TORQUE BLOCK



813326 (1)
TANG

816728 (1) - 5*
SET SCREW,
TRIGGER

816897 (1) - 10*
RETAINING RING

811180 (1)
CASE

812352 (1)
GRIP

816867 (1) - 10*
PIN & SPRING ADAPTER

DETAIL A
SCALE 1 : 1

DEFORM BEFORE
CALIBRATION

