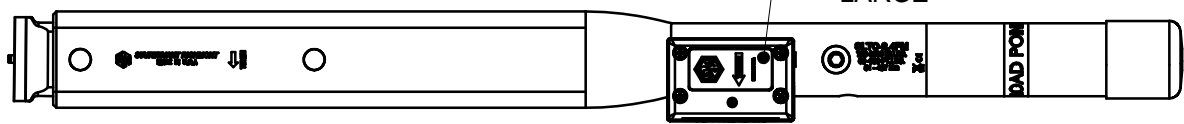


10616 (1)
 RADIO KIT 2.4GHz; AAA FOR LARGE SLTC-FM WRENCHES
 (INCLUDES AAA BATTERY HOUSING UPPER & LOWER
 COVERS, BATTERY HOUSING LID, RADIO 2.4GHz AAA,
 RUBBER WASHERS, SCREW PAN HEAD, LITEPIPE &
 SPRING CLIP, PCB INSULATION, SLTC LABEL, & AAA
 BATTERY)



10616 (1)
 REPLACEMENT KIT
 2.4 Ghz AAA RADIO,
 LARGE

NOTES:

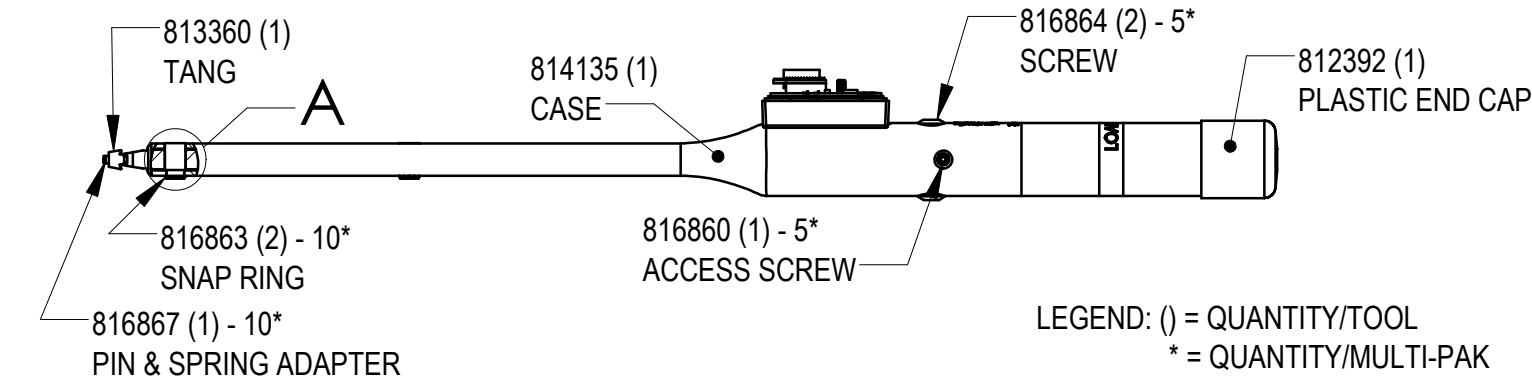
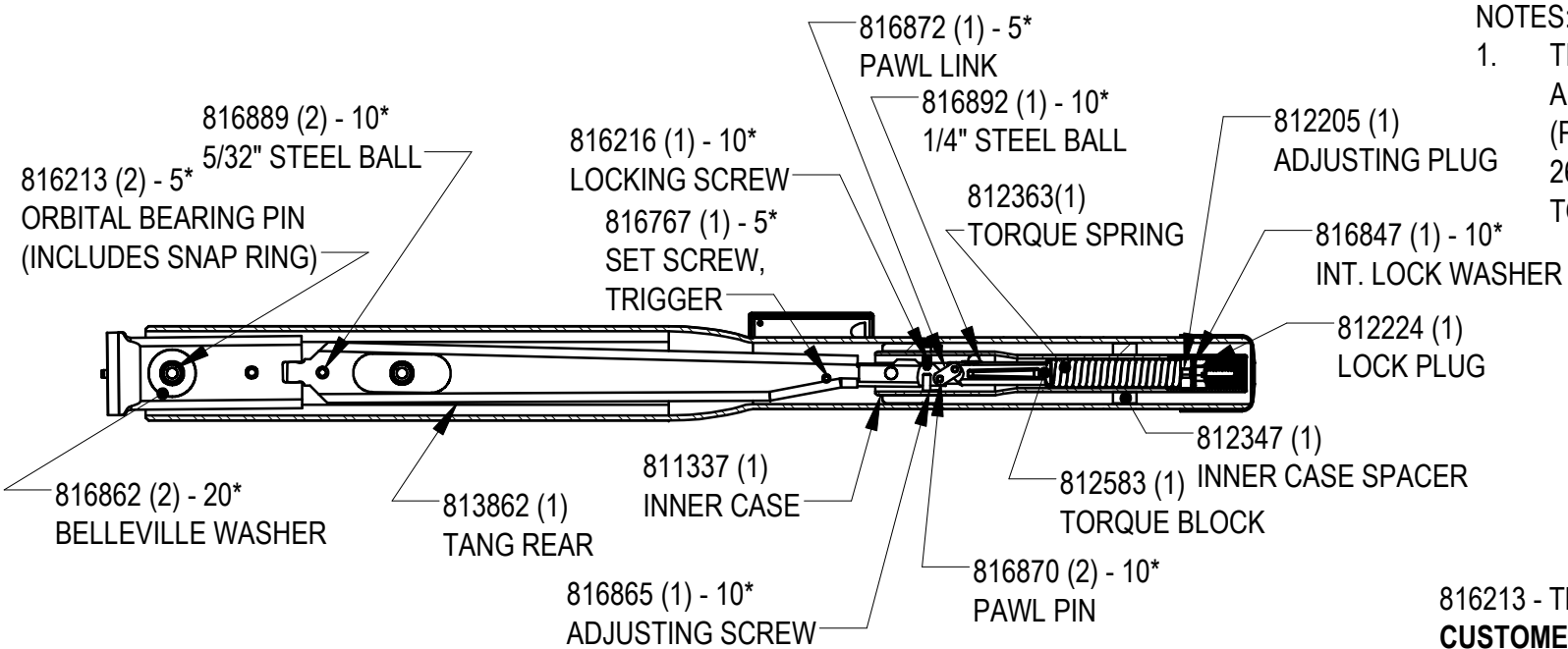
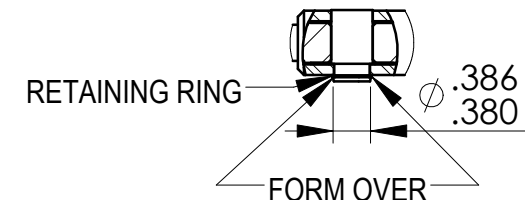
- TIGHTEN TO 1.5-2.5 IN. LBS. AND APPLY A DROP OF ADHESIVE (PERMA-LOK MM115 OR LOCTITE 262) TO SET SCREW (890104) PRIOR TO ASSEMBLY INTO TANG (813360)

WARNING: USE ONLY 1.5 VDC ALKALINE OR 1.2 VDC NiMH AAA RECHARGEABLE BATTERIES. OTHER BATTERIES CAN CAUSE DAMAGE TO THE RADIO AND IMPACT THE RADIO SIGNAL.

820035 - CARTON
 857331 - INSTRUCTION

816213 - THIS PIN IS FORMED OVER
CUSTOMER MUST GRIND OFF FORMED END & INSTALL THIS PIN FORMING THE HEAD OVER THE RETAINING RING AS SHOWN

DETAIL A
 SCALE 1 : 2
 DEFORM BEFORE
 CALIBRATION



LEGEND: () = QUANTITY/TOOL
 * = QUANTITY/MULTI-PAK