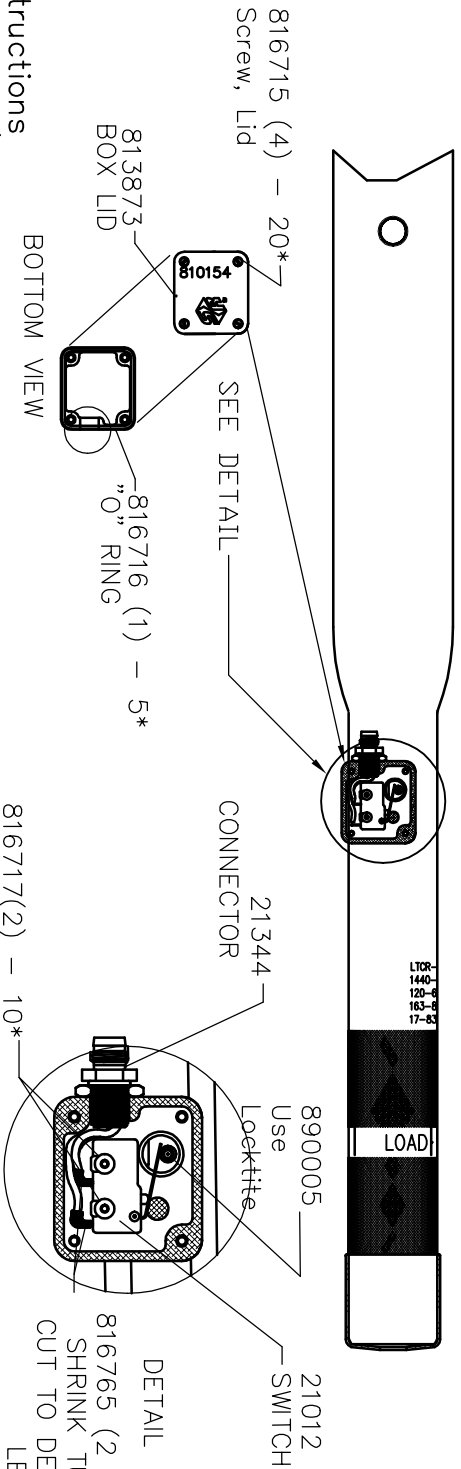
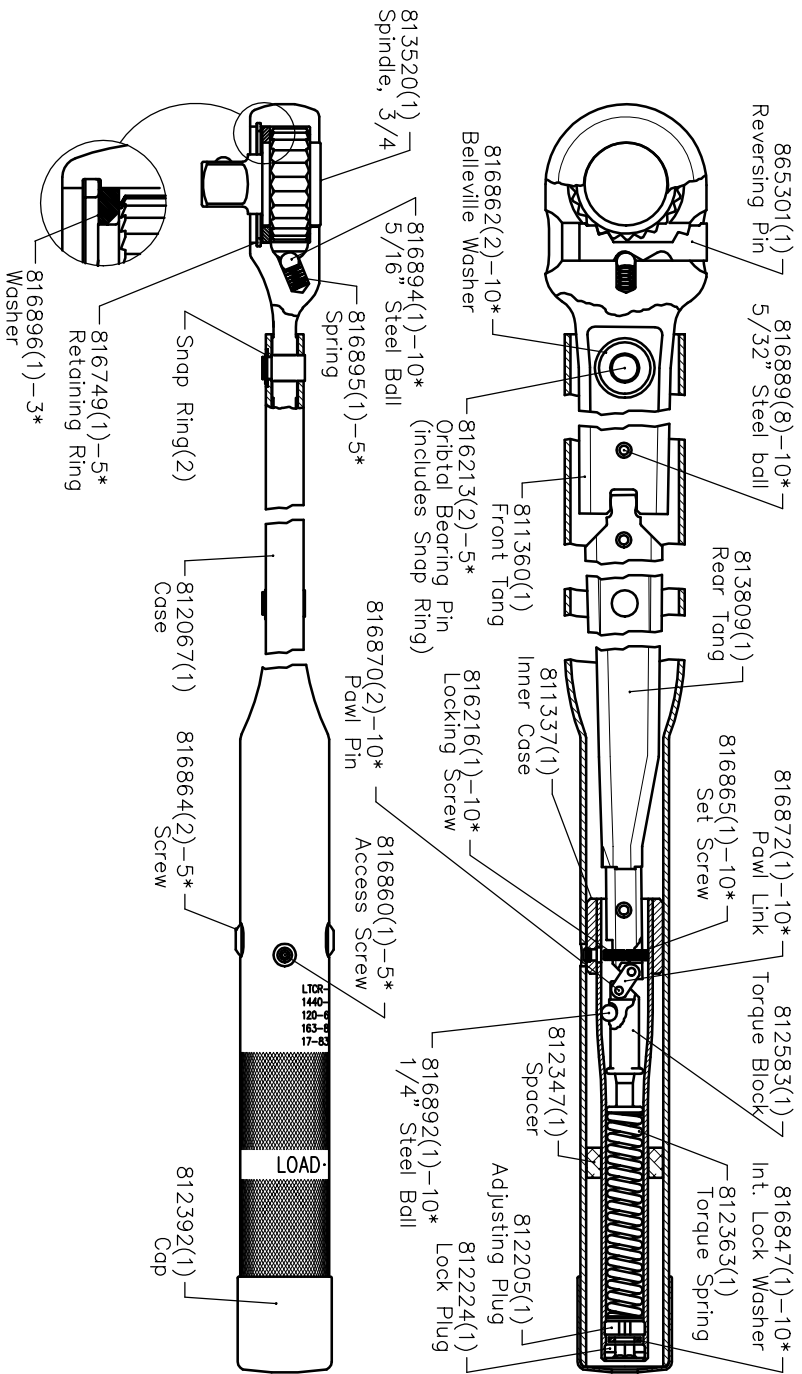


NOTE: INTERFACING CABLES HAVE ELECTRICAL RATING 60 VAC/75VDC AND HOLD A MAXIMUM OF 3 AMPS.



857010-Service Instructions
 816999-Ratchet Renewal Kit (Includes Spindle, Reversing Pin, Washer, Retaining Ring, Spring, & Ball)
 811359-Ratchet Tang Ass'y. (Includes Ratchet Renewal Kit & Tang)
 811240-Rear Tang Ass'y. (Includes Tang & Adj. screw)

816717(2) - 10* Screw, Switch

LEGEND: () = Quantity/Tool
 * = Quantity/Multi-Pak



STURTEVANT RICHMOND
 MAKE REPAIRS STRONG
 DIVISION OF RESON CORPORATION

THIS PRINT AND ALL INFORMATION APPEARING THEREON IS THE PROPERTY OF "STURTEVANT/RICHMONT". NEITHER THE PRINT NOR THE INFORMATION THEREON MAY BE REPRODUCED OR USED IN ANY MANNER WHATSOEVER BY ANY OTHER PERSON UNLESS SPECIFICALLY AUTHORIZED BY "STURTEVANT/RICHMONT".

PART DESCRIPTION

SLICR 72001-CT 3/4" (IN./LBS)

DIAGRAM NO. & REV.

810860-E