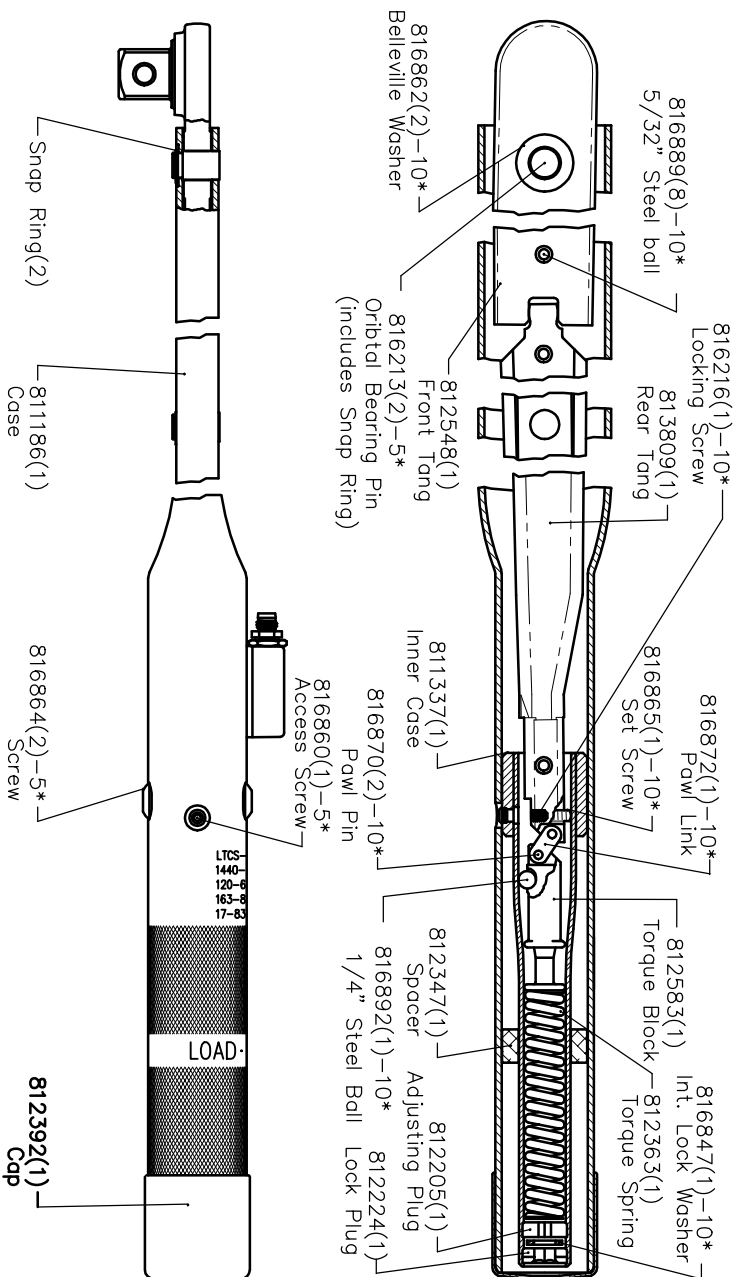
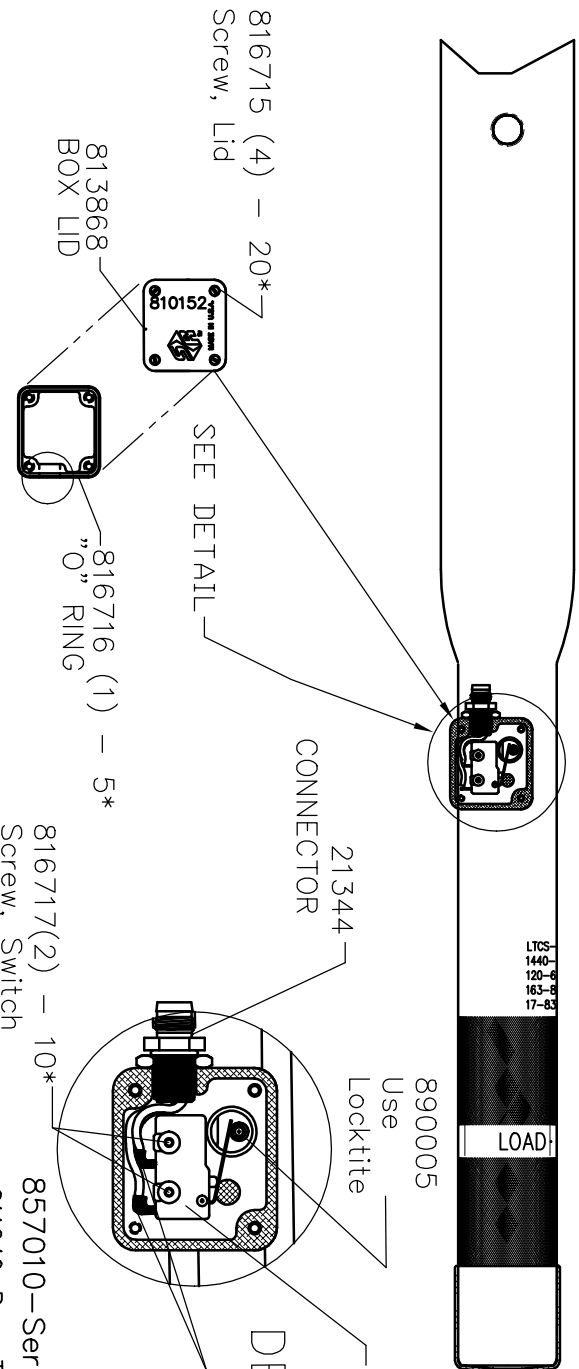


NOTE: INTERFACING CABLES HAVE ELECTRICAL RATING 60 VAC/75VDC AND HOLD A MAXIMUM OF 3 AMPS.



LEGEND: ( ) = Quantity/Tool

\* = Quantity/Multi-Pak



816765 (2 Plc's) SHRINK TUBING CUT TO DESIRED LENGTH

BOTTOM VIEW

SEE DETAIL

CONNECTOR

DETAIL

THIS PRINT AND ALL INFORMATION APPEARING THEREON IS THE PROPERTY OF "STURTEVANT/RICHMONT". NEITHER THE PRINT NOR THE INFORMATION THEREON MAY BE REPRODUCED OR USED IN ANY MANNER WHATSOEVER OR DIVULGED TO ANY OTHER PERSON UNLESS SPECIFICALLY AUTHORIZED BY "STURTEVANT/RICHMONT".

PART DESCRIPTION

SLICCS 72001-CT 3/4" (IN./LBS)

DIAGRAM NO. & REV.

810859-E



DIVISION OF RYESON CORPORATION