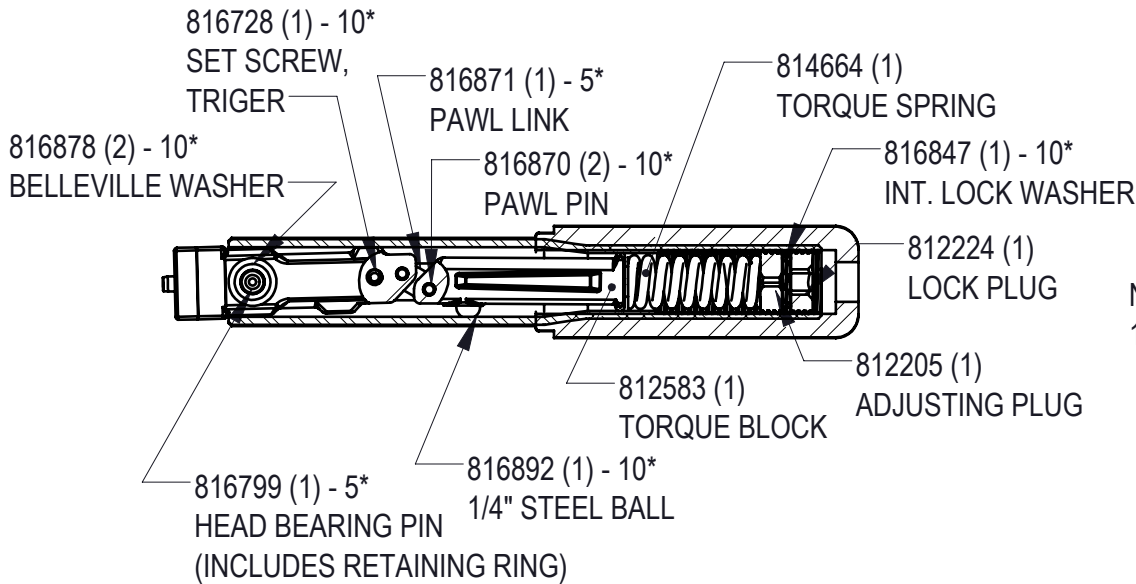


21487 (1)
RADIO KIT 2.4GHz;
AAA FOR SLTC-FM
WRENCHES

21487 (1)
RADIO KIT 2.4GHz; AAA FOR SLTC-FM WRENCHES
(INCLUDES AAA BATTERY HOUSING UPPER &
LOWER COVERS, BATTERY HOUSING LID, RADIO
2.4MGH AAA, RUBBER WASHERS (4), SCREW PAN
HEAD (2), LITEPIPE & SPRING CLIP, PCB
INSULATION, SLTC LABEL, & AAA BATTERY)



816728 (1) - 10*
SET SCREW,
TRIGGER

816871 (1) - 5*
PAWL LINK

814664 (1)
TORQUE SPRING

816878 (2) - 10*
BELLEVILLE WASHER

816870 (2) - 10*
PAWL PIN

816847 (1) - 10*
INT. LOCK WASHER

812224 (1)
LOCK PLUG

812583 (1)
TORQUE BLOCK

812205 (1)
ADJUSTING PLUG

816799 (1) - 5*
HEAD BEARING PIN
(INCLUDES RETAINING RING)

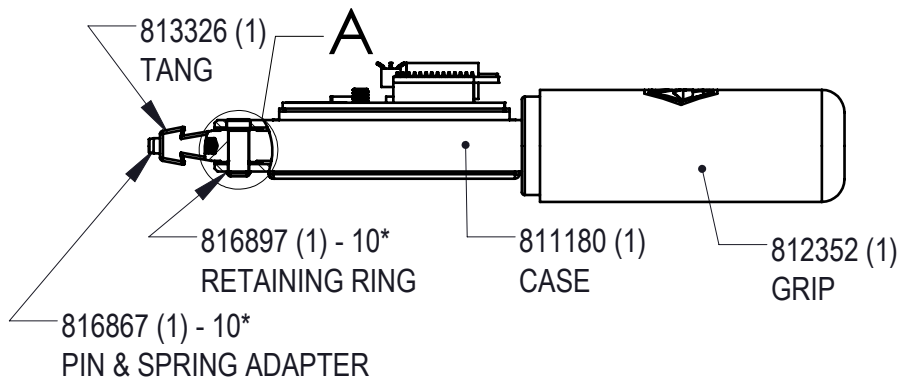
816892 (1) - 10*
1/4" STEEL BALL

NOTES:
1.

TIGHTEN TO 1.5-2.5 IN. LBS. AND APPLY A DROP OF
ADHESIVE (PERMA-LOK MM115 OR LOCTITE 262) TO SET
SCREW (890105) PRIOR TO ASSEMBLY INTO TANG (813326)

WARNING: ONLY USE NiMH AAA
RECHARGEABLE BATTERY
OTHER BATTERIES CAN CAUSE
DAMAGE TO THE BOARD AND
IMPACT RADIO SIGNAL

857007 - CARTON
857330 - INSTRUCTIONS



813326 (1)
TANG

816897 (1) - 10*
RETAINING RING

811180 (1)
CASE

812352 (1)
GRIP

816867 (1) - 10*
PIN & SPRING ADAPTER

816799 - THIS PIN IS FORMED OVER
CUSTOMER MUST GRIND OFF FORMED END
& INSTALL THIS PIN FORMING THE HEAD
OVER THE RETAINING RING AS SHOWN

DETAIL A
SCALE 2 : 1.5
DEFORM BEFORE
CALIBRATION

