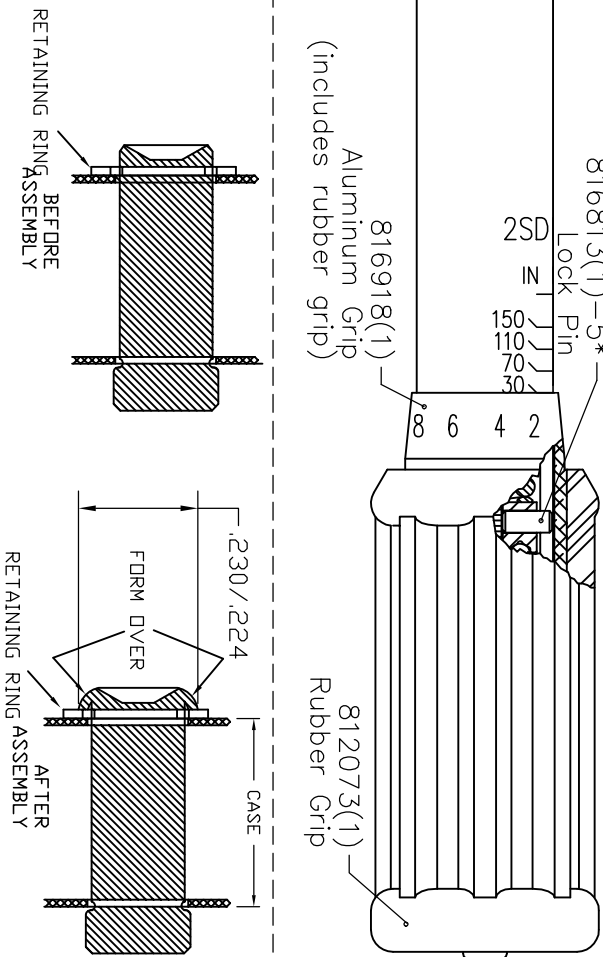


816799—THIS PIN IS FORMED OVER CUSTOMER MUST GRIND OFF FORMED END & INSTALL THIS PIN FORMING THE HEAD OVER THE RETAINING RING AS SHOWN.



INSTRUCTIONS

857046

CASE & LABEL

820122 & 863052

LEGEND: ( ) = Quantity/Tool

\* = Quantity/Multi-Pak



STURTEVANT RICHMONT  
TORQUE MEASUREMENT SYSTEMS  
DIVISION OF RYERSON CORPORATION

THIS PRINT AND ALL INFORMATION APPEARING THEREON IS THE PROPERTY OF STURTEVANT/RICHMONT - NEITHER THE PRINT NOR THE INFORMATION THEREON MAY BE REPRODUCED OR USED IN ANY MANNER WHATSOEVER OR DIVULGED TO ANY OTHER PERSON UNLESS SPECIFICALLY AUTHORIZED BY STURTEVANT/RICHMONT.

PART DESCRIPTION

2SD 1501 (IN./LBS)

DIAGRAM NO. & REV.

810161-E