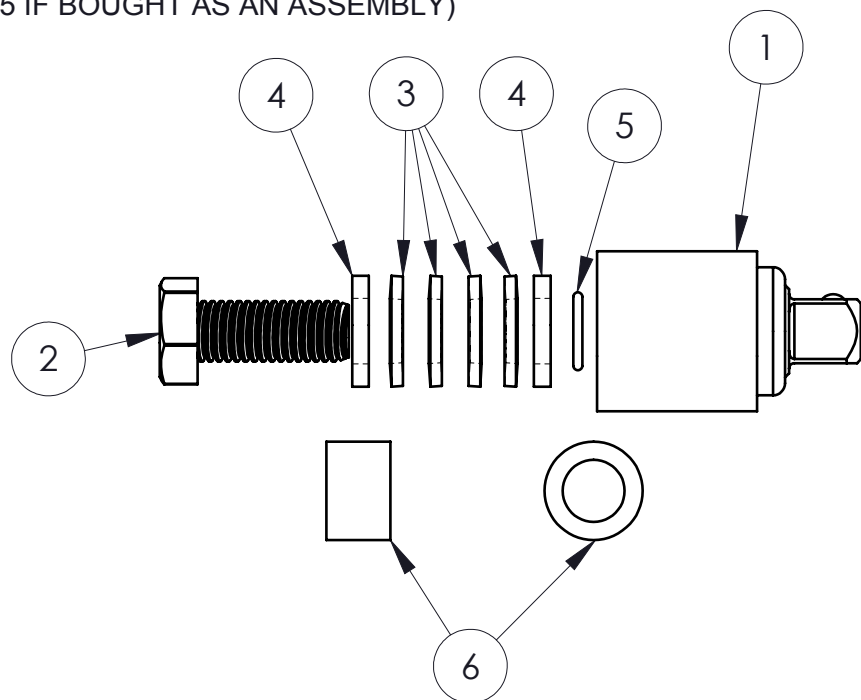


ITEM NO.	PART NUMBER	DESCRIPTION	QTY.
1	811395	WELDMMENT RUNDOWN 68 Nm FIXTURE w/ 1/2" [12.7] MALE SQ DRIVE	1
2	890859	SCREW, M12 x 1.75 x 30mm, 12.9 HEX HEAD CAP	(1)-9*
3	891024	BELLEVILLE WASHER, 12M	(4)-12*
4	891025	METRIC THICK WASHER, M12	(2)-6*
5	891105	O-RING, 11/32 OD x 7/31 ID x 1/16 THK	(1)-10*
6	891026	BUSHING, 31/64"[12.3] ID x .77"[19.56] OD x 1/2"[12.7]	(1)-3*

NOTE:  
ALL ENGAGING SURFACES MUST HAVE LUBRICANT  
APPLIED TO THEM. (MOLY GREASE, PN: 816034)

LEGEND: ()=QUANTITY/TOOL  
\*=QUANTITY/MULTIPAK

RUNDOWN FIXTURE 68Nm ASSEMBLY  
(811405 IF BOUGHT AS AN ASSEMBLY)



BUY KIT 816042				
ITEM	QTY REQ'D	MULTI PAK QTY	PART NO.	DESCRIPTION
2	1	9	890859	SCREW, M12 x 1.75 x 30mm, 12.9 HEX HEAD CAP
3	4	12	891024	BELLEVILLE WASHER, 12M
4	2	6	891025	METRIC THICK WASHER, M12
5	1	10	891105	O-RING, 11/32 OD x 7/31 ID x 1/16 THK
6	1	3	891026	BUSHING, 31/64"[12.3] ID x .77"[19.56] OD x 1/2"[12.7]
7	1	1	857037	50 I/300 I JOINT SIMULATOR KIT SHIPPING BOX
8	1	1	891058	BAG, 6 x 10, POLY ZIP, 4 MIL