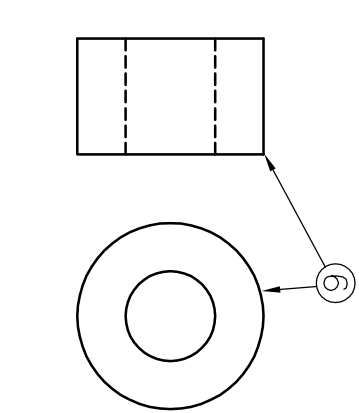
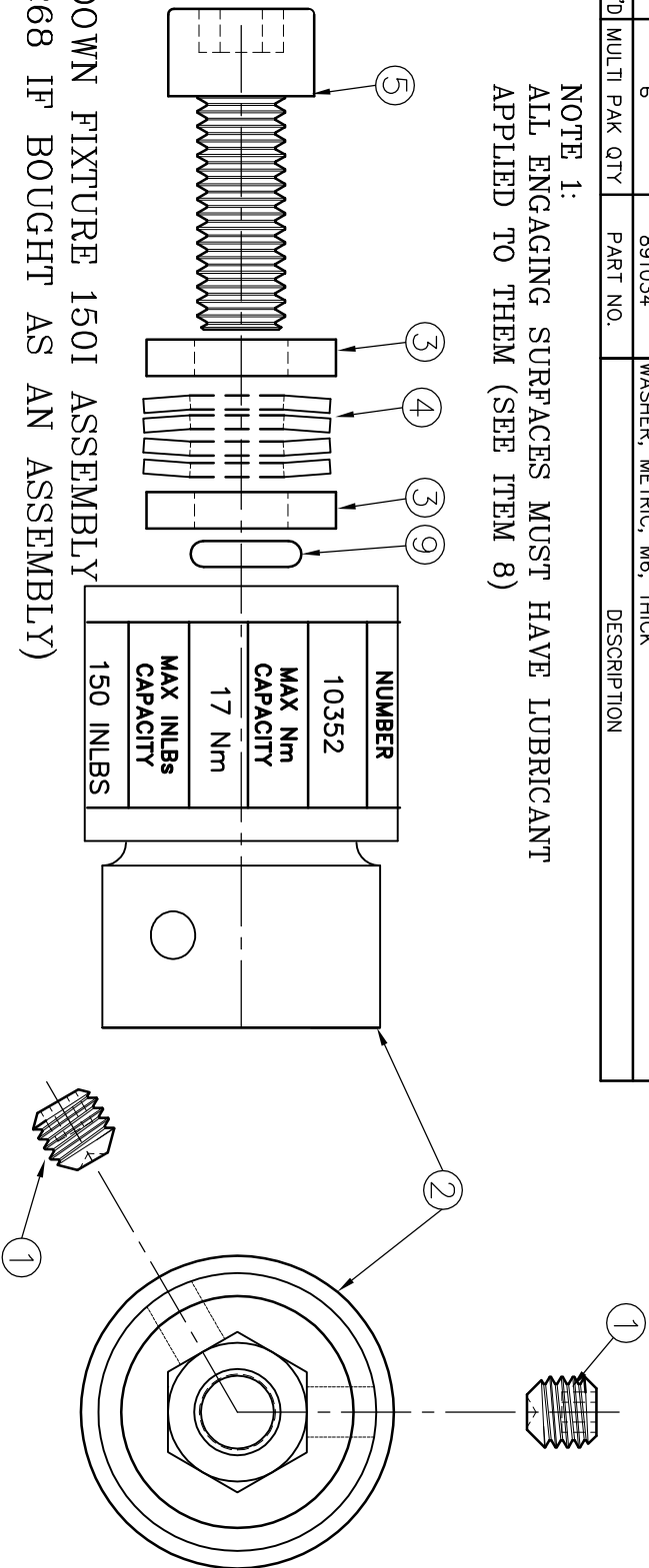


BUY KIT 816040

9	1	10	891107	O-RING, 5/16 OD x 3/16 ID x 1/16
7	1	1	891036	POWER BIT, 5mm HEX, 1/4"[6.35] HEX SHANK
6	1	3	891035	BUSHING, .502 OD x .242 ID x 5/16"
5	1	9	890881	SCREW, M6x 16mm, SOCKET HEAD CAP 5mm FEMALE HEX
4	4	12	891033	BELLEVILLE, DISC SPRING, .255 ID x .500 OD
3	2	6	891034	WASHER, METRIC, M6, THICK
ITEM QTY RECD	MULTI PAK QTY	PART NO.	DESCRIPTION	

NOTE 1:
 ALL ENGAGING SURFACES MUST HAVE LUBRICANT
 APPLIED TO THEM (SEE ITEM 8)

RUNDOWN FIXTURE 150I ASSEMBLY
 (816268 IF BOUGHT AS AN ASSEMBLY)



BUY BY ITEM			
8	1	1	816034 MULTI PAK, MOLY GREASE, 1 POUND CAN
2	1	1	816268 MULTI PAK, WELDMENT, RUNDOWN 34 Nm FIXTURE, 3/8 [9.525] FEMALE HEX
1	2	10	816320 MULTI PAK, SCREW, 10-32, SET
ITEM QTY RECD	MULTI PAK QTY	PART NO.	DESCRIPTION

STURTEVANT RICHMONT
 DIVISION OF RYESON CORPORATION

THIS PRINT AND ALL INFORMATION APPEARING THEREON IS THE PROPERTY OF "STURTEVANT/RICHMONT". NEITHER THE PRINT NOR THE INFORMATION OR DIVULGED TO ANY OTHER PERSON UNLESS SPECIFICALLY AUTHORIZED BY "STURTEVANT/RICHMONT".

PART DESCRIPTION
 RUNDOWN FIXTURE 150I
 (17Nm), 3/8 FEMALE HEX

DIAGRAM NO. & REV.
 10352-E